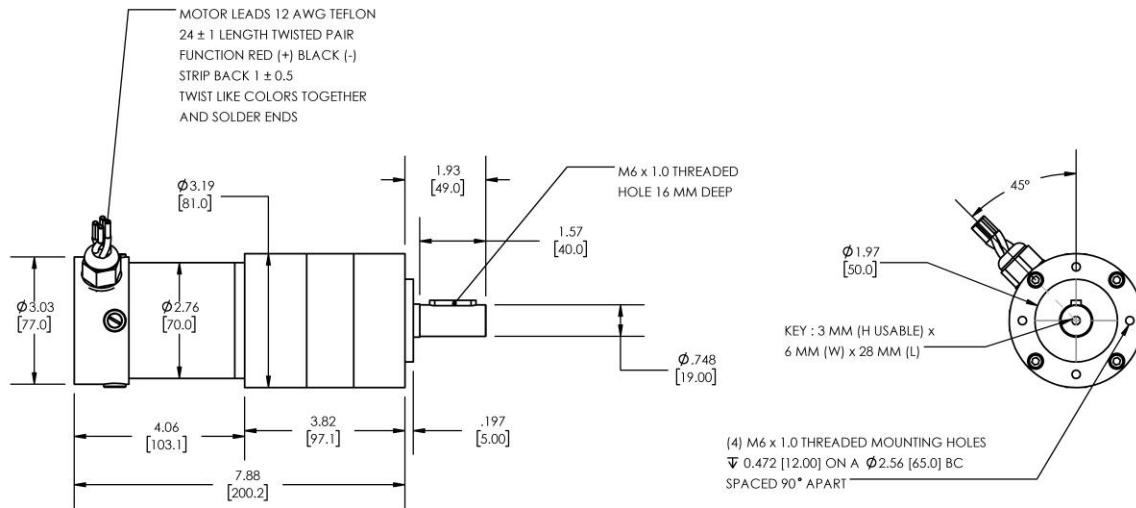


**Model Number:**
**MMP S27-411E-24V GP81-04.3**


DIMENSIONS ARE INCHES [MM] UNLESS OTHERWISE STATED

PLANETARY GEARMOTOR OUTPUT PARAMETERS:	VALUE	UNITS	TOLERANCE
Gearhead Ratio (exact)	4.28 : 1		
Gearhead Shaft Output Speed (at full-load)	718	RPM	MAX
Gearmotor Rated Continuous Torque	18	In-Lbs	MAX
Gearmotor Rated Peak Torque	<b>68++</b>	In-Lbs	----
Gearhead Standard Backlash	30	Arc Minutes	MAX
Gearhead Efficiency	80%	----	----
Output Shaft Radial Load Capacity	90	Lbs	MAX
Output Shaft Axial Load Capacity	18	Lbs	MAX
Gearmotor Total Weight	7.6	Lbs	MAX

**++ All Peak Torque values are dependent upon duty. Contact our sales office for details.**

DC MOTOR PERFORMANCE PARAMETERS:	VALUE	UNITS	TOLERANCE
Rated DC Voltage	24	DC VOLTS	----
Rated Continuous Current	12.6	AMPERES	----
No-Load Speed	3934	RPM	MAX
Rated Speed	3072	RPM	+/- 15%
Rated Continuous Power Out	191	WATTS	+/- 15%
Rated Continuous Torque	84	OZ-IN	----
Peak Torque (motor only)	316	OZ-IN	----
No-Load Current	2.42	AMPERES	MAX
Back EMF Constant (Ke)	6.1	V/KRPM	+/- 10%
Torque Constant (Kt)	8.2	OZ-IN/AMP	+/- 10%
DC Armature Resistance	0.42	OHMS	+/- 15%
Armature Inductance	0.19	mH	+/- 15%
Armature temperature	155	DEG. C	MAX

**NOTES:**

- ENCODER & BRAKE OPTIONS AVAILABLE – [FOLLOW THIS LINK FOR DETAILS](#)
- NEMA MOUNTING FLANGE OPTION AVAILABLE – [FOLLOW THIS LINK FOR DETAILS](#)

# MIDWEST MOTION PRODUCTS

**DESIGN, MANUFACTURING & DISTRIBUTION - MOTION CONTROL EQUIPMENT**
[www.midwestmotion.com](http://www.midwestmotion.com)

 email: [sales@midwestmotion.com](mailto:sales@midwestmotion.com)